

# NPA

NEW PRODUCT ANNOUNCEMENT



## PLUG VALVES PLV SERIES



MANUALLY OPERATED PLUG VALVE

EASY REPLACEMENT AND MAINTENANCE OF COMPONENTS

TIGHT SHUT OFF AND FORWARD THROTTLING CAPABILITIES

LOW OPERATION TORQUE

AVAILABLE IN A WIDE VARIETY OF CONFIGURATIONS

**Body:**  
Bar stock construction  
Available in 2 sizes to  
optimize flow rate (1/4  
and 3/8)

**Replaceable Handle:**

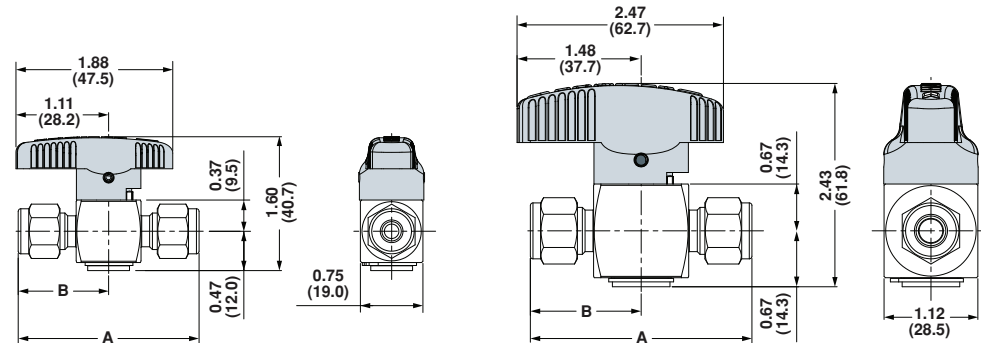
- Indicates direction of flow
- Nylon handle available in a variety of colors
- Designed for easy operation and low torque

**End Connection Sizes:**  
From 1/8 to 1/2  
(6mm to 12mm)

**End Connection Types:**  
Let-Lok, NPT, BSPT,  
BSPP

**PTFE Coated Plug:**  
Provides flow throttling option  
Easily replaceable  
Reduces operating torque

**PTFE coated O-rings:**  
Prolongs product life  
Available in PTFE coated  
FKM, EPDM, Buna N and  
polychloroprene



## PLV STANDARD CONFIGURATION DIMENSIONS

Series	End Connection	Size	CV	Orifice		Dimensions			
						A		B	
	Type			mm	inch	mm	inch	mm	inch
PLV4	Let-Lok Imperial	1/8	0.1	2.3	0.093	50.5	1.99	24.9	0.98
PLV4		1/4	1.6	4.4	0.172	55.1	2.17	24.9	1.08
PLV4		3/8	1.1	4.4	0.172	58.2	2.29	29	1.14
PLV6			6.4	7.2	0.283	67.6	2.66	33.8	1.33
PLV6		1/2	4.4	7.2	0.283	73.2	2.88	36.6	1.44
PLV4	Let-Lok Metric	6mm	4.6	4.4	0.172	55.1	2.17	27.4	1.08
PLV6		8mm	6.4	7.2	0.283	67.6	2.66	33	1.3
PLV6		10mm	6.4	7.2	0.283	68.1	2.68	34	1.34
PLV6		12mm	4.8	7.2	0.283	75.2	2.96	36.6	1.44
PLV4		Female NPT	1/8	1.2	4.4	0.172	45.2	1.78	22.6
PLV4	1/4		0.9	4.4	0.172	53.1	2.09	26.7	1.05
PLV6			4.3	7.2	0.283	60.5	2.38	30.2	1.17
PLV6	Male NPT	1/2	2.7	7.2	0.283	73.2	2.88	36.6	1.44
PLV4		1/8	1	4.4	0.172	38.9	1.53	19.3	0.76
PLV4			1/4	1	4.4	0.172	48.3	1.9	24.1
PLV6	Male NPT to Let-Lok	1/2	2.4	7.2	0.283	67.1	2.64	33.5	1.32
PLV4		1/4	0.9	4.4	0.172	51.2	2.03	24.1	0.95
PLV4	Male to Female NPT	1/4	1	4.4	0.172	50.8	2	24.1	0.95

For more information please contact your local representative or [info@ham-let.com](mailto:info@ham-let.com)