

NPA

NEW PRODUCT ANNOUNCEMENT



TRUNNION BALL VALVES



STRENGTH THROUGH SIMPLICITY

The Trunnion ball valve series provides a reliable shut-off and switching function for high pressure services. Spring loaded seats provide high life cycle and low operating torque for pressures up to 10,000 psig

Ham-Let announces a new TBV - TRUNNION BALL VALVE. TBV provides a solution for pressures up to 10,000 psig and temperatures ranging from -17°C to +230°C.

TBV series is suitable for a wide range instrumentation and control applications:

CNG fueling, Chemical injection skids, Hydraulic control panels, Gas delivery systems, High pressure isolation and Switching systems. In addition to the unique functionality as a switching and shut off valve for high temperature and high pressure services.

FEATURES

- High pressures up to 10,000 psig
- High temperature endurance -17°C up to 232°C
- 2- or 3-way flow patterns
- Low operating torque
- Spring-loaded seats
- Trunnion-style ball
- Replaceable Handle

Replaceable Handle:

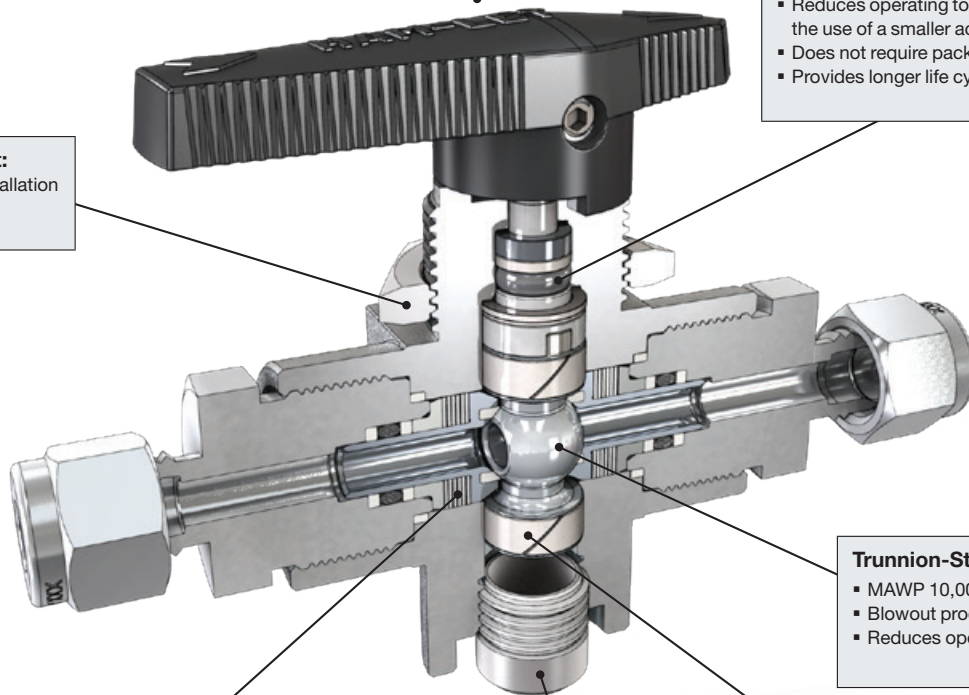
- Indicates direction of flow
- Nylon handle available in a variety of colors
- Designed for easy operation and low torque

Enhanced FKM O-ring:

- Rated up to MAWT 230 °C
- Reduces operating torque and allows for the use of a smaller actuator
- Does not require packing adjustment
- Provides longer life cycle

Panel Mounting Nut:

- Allows easy panel installation



Spring-Loaded Seats:

- Provides leak-tight integrity in both low and high-pressure systems
- Reduces operating torque
- Stable performance in fluctuating temperature cycles

1/4 NPT Plug:

- Maintenance port provides approach for cleaning and part replacement

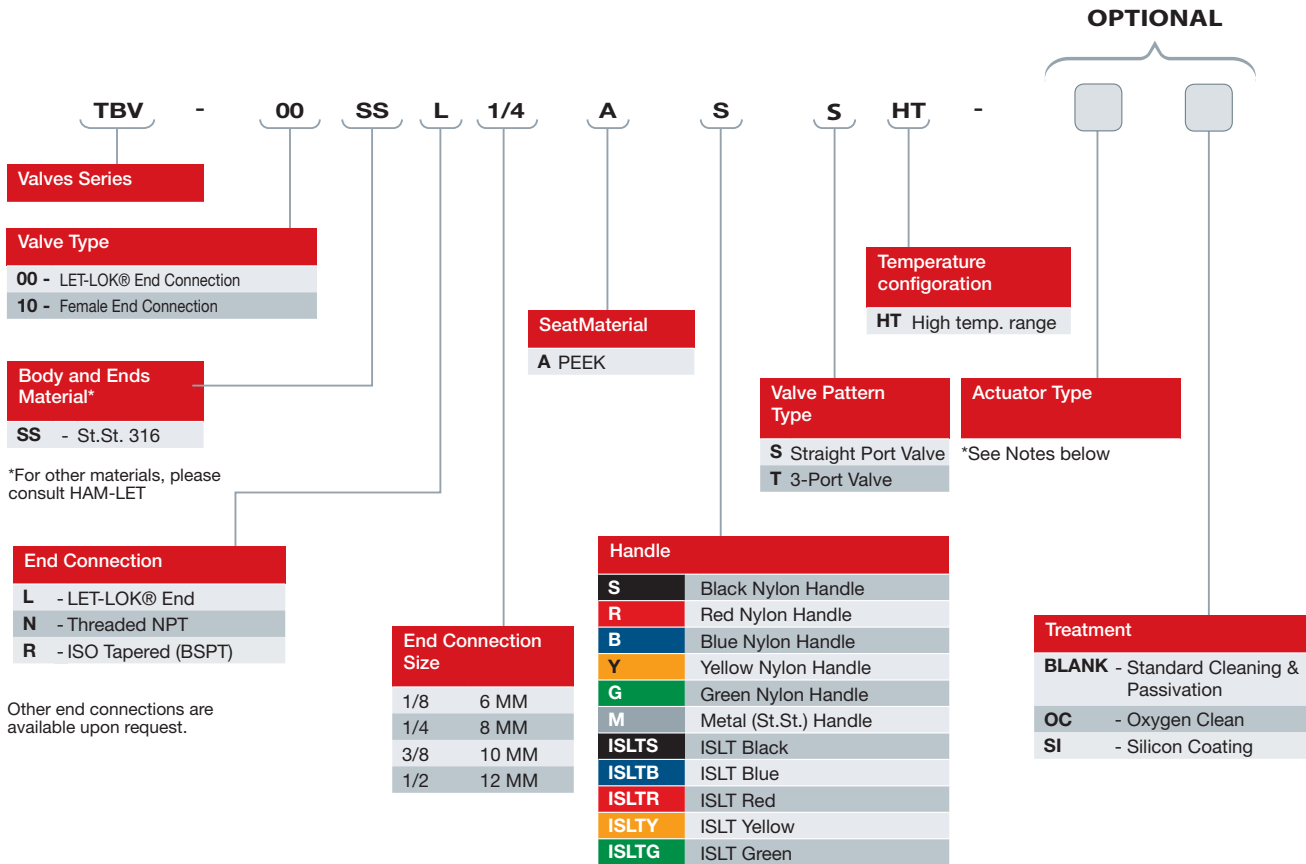
Trunnion-Style Ball:

- MAWP 10,000 psi
- Blowout proof design
- Reduces operating torque

PEEK Radial Bearing:

- Prevents galling
- Low friction bearings prolong product life

TRUNNION BALL VALVE SERIES ORDERING INFORMATION



Integral Safety Lock-Out Tag-Out Device

The integral locking mechanism enables safe and easy use for valve position locking and tagging. The design prevents undesirable valve position changes, without the requirement for additional locking equipment.

Available for 2 – way straight pattern; locked-open and locked-close positions
For 3 – way pattern valves, the ISLT handle can lock in the left, center and right position.

*For Actuated Valves

- If special cleaning is required, OC will be added in the end and be applicable for the Valve only.
Example: TBV-00SSL1/4AS - A1 OC
- For ordering information of actuators for high temperature please refer to HAM-LET Pneumatic Actuator Catalog
- For double mounting actuators, please contact your local representative
- For actuators accessories (Limit Switch, Solenoid Valve) please refer to HAM-LET Pneumatic Actuator Catalog.
- For Stainless Steel Actuator or Electric Actuator please contact your local representative